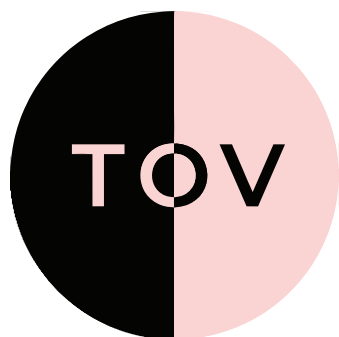
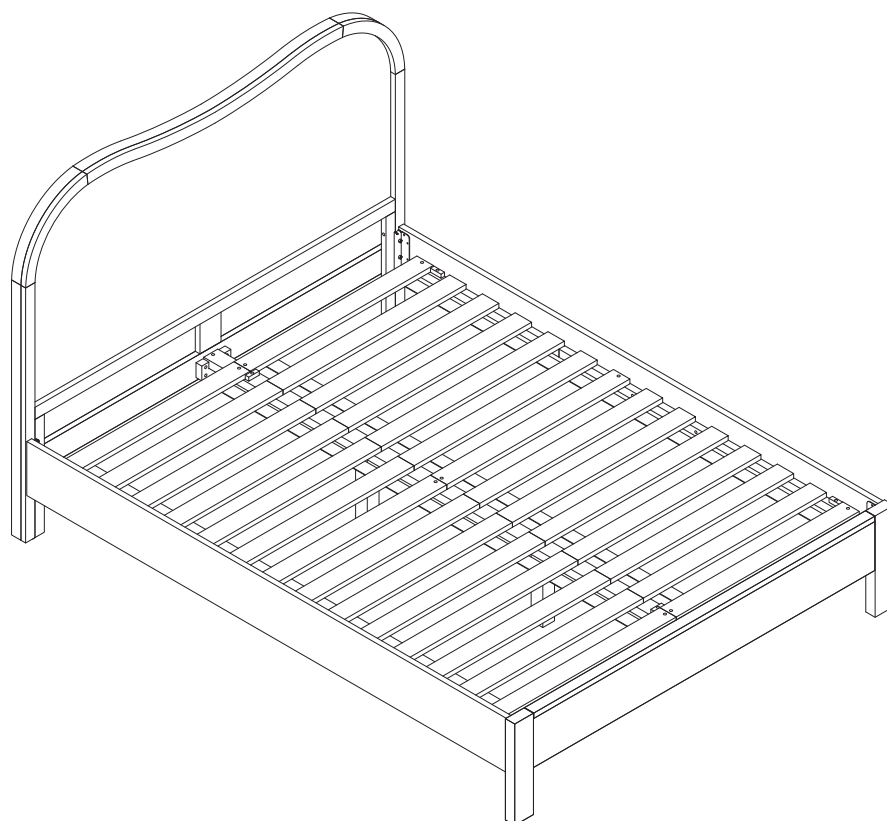


GRAPPA BED


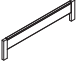






GRAPPA






ASSEMBLY INSTRUCTIONS



PARTS LIST

| LABEL | PICTURE | DESCRIPTION | QTY |
|-------|---|-----------------------------|-----|
| A |  | HEADBOARD | 1 |
| B |  | FOOTBOARD | 1 |
| C |  | SIDERAIL LEFT AND RIGHT | 2 |
| D |  | MIDDLE RAIL | 1 |
| E |  | CENTER LEGS | 2 |
| F |  | SLAT FRAME (14 wood bar) | 2 |

HARDWARE

| LABEL | PICTURE | DESCRIPTION | QTY |
|-------|---|-------------|-----|
| G |  | BOLT M6x10 | 12 |
| H |  | BOLT M8x45 | 2 |
| I |  | WASHER M8 | 2 |
| J |  | SCREW M4x30 | 14 |
| K |  | WRENCH K4 | 2 |

BEFORE BEGINNING ASSEMBLY:



Read instructions cover to cover



Have two adults on hand for assembly



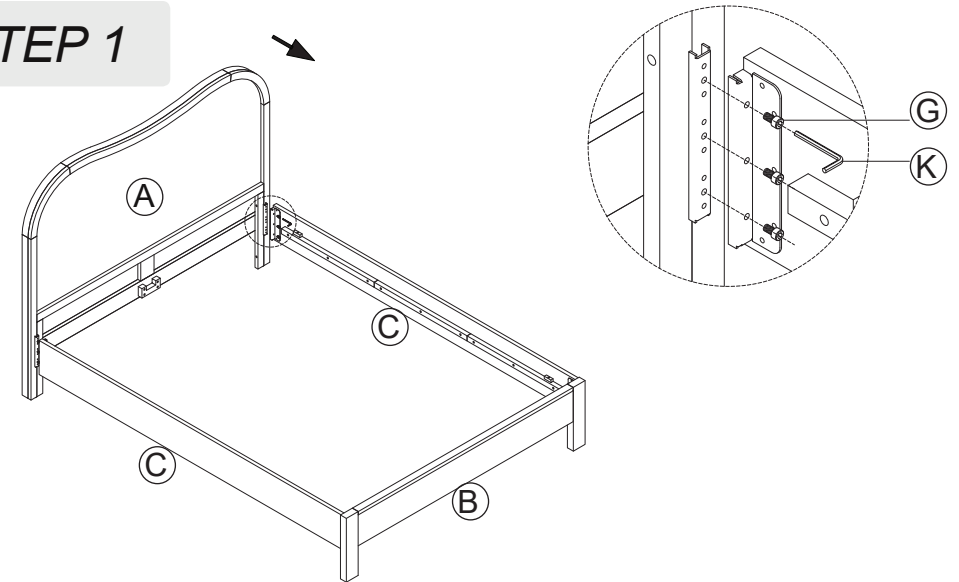
Do NOT assemble on flooring or carpet. Assemble on a clean non-marring surface (ex: packing foam)



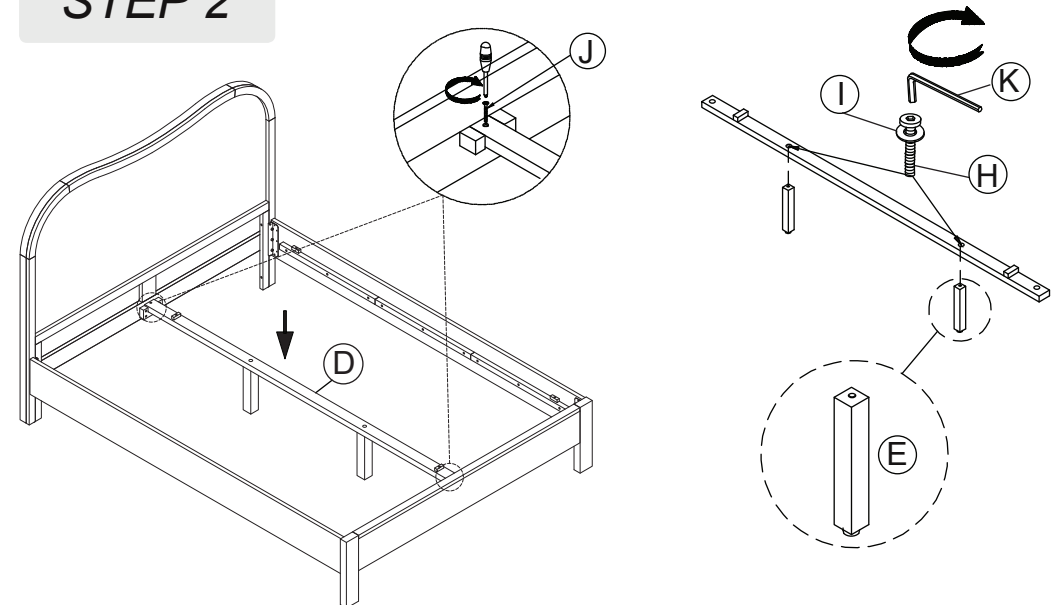
Save all packaging until assembly is completed

ASSEMBLY STEPS

STEP 1

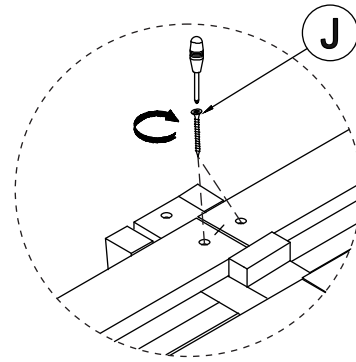
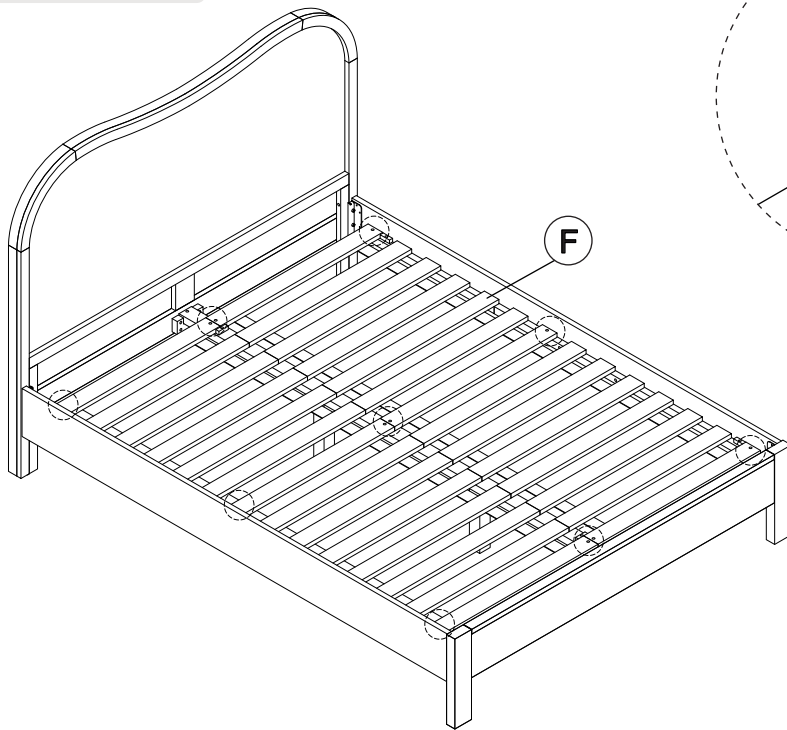


STEP 2

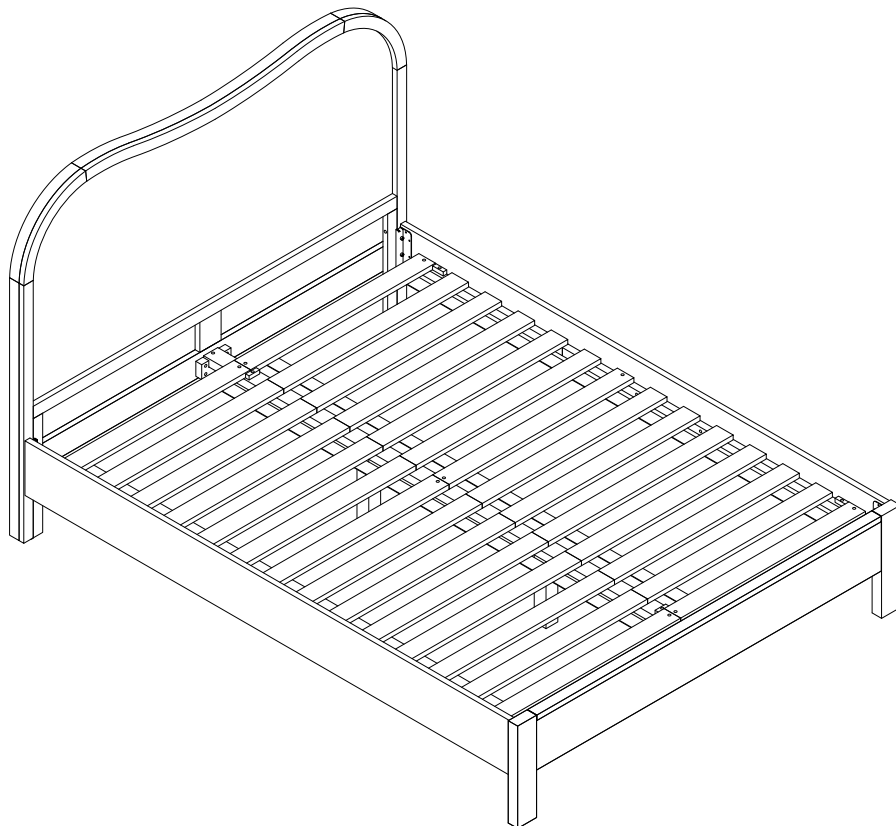


ASSEMBLY STEPS

STEP 3



FINISH



CARE & MAINTENANCE



Do not put hot items directly on furniture surface.



Do not clean furniture with harsh cleansers or polish



Dust and wipe up spills using a clean, non-colored, lint-free cloth.



Stains may be removed with a mild soap solution and a damp cloth.



Do not place furniture under direct sunlight.



Do not place furniture near heating or cooling vents.



Do not write on furniture without a padded barrier to protect the surface.



Do not place furniture outside, for indoor use only.

**"Need a part? Call TOV at 516-888-3355 or
email service@tovfurniture.com"**